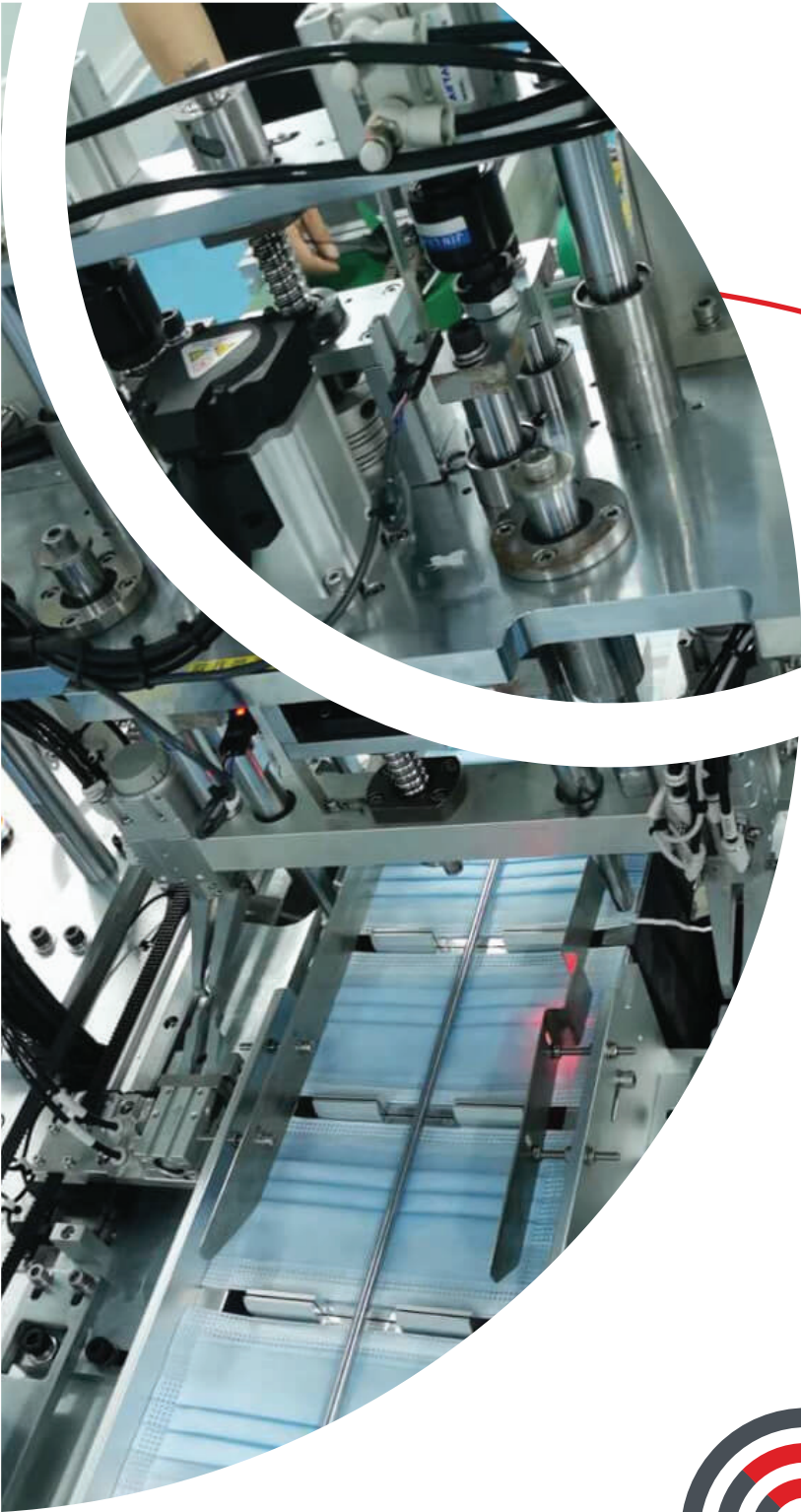


COMPANY
PROFILE



LaFlesche
Your Partners in Plastic

2

WHAT You Need

WHEN you need it

We exist to ensure the success of our valued partners. That's why we design and manufacture what you need, when you need it. We offer an expansive list of services that range from conceptualization to mass production including:

- Product Development
- Product Prototyping
- Mold Making
- Injection Molded Plastic
- Medical Plastic
- Meltblown Fabric
- R&D of Sustainable Plastic



3

Supply Chains

You Can **TRACK**

Products you can **TRUST**

In an increasingly uncertain world, we're here to bring peace of mind.

- ✓ North American made
- ✓ Flexible order sizes
- ✓ Trustworthy supply chain
- ✓ Great customer service
- ✓ Reduced carbon footprint
- ✓ Clean room environment
- ✓ Speedy delivery
- ✓ In-house testing & tracking
- ✓ High quality, low cost



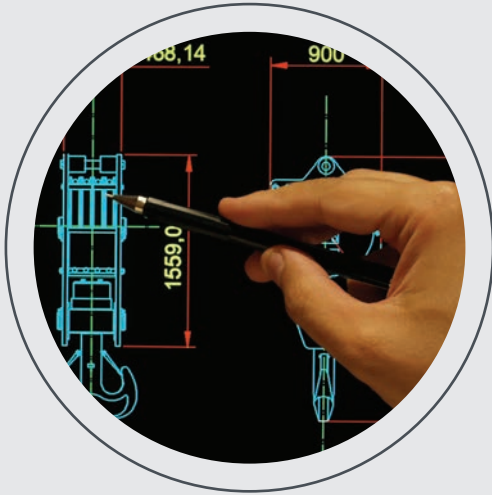
4



Product **Development**

Whether you're creating a brand new part or optimizing an existing one, our team of plastics manufacturing experts are here to make the whole process easy for you. From concept to completion, we'll be by your side.

Although every project is unique, a few of the most common ways we help clients kick start their products into reality are:



Engineering & Design

- Analyze and optimize existing parts
- Design and engineer new parts
- Identify suitable manufacturing processes and tooling requirements
- Templates, CAD drawings, specs
- Injector pin locations
- Choosing best materials

Cost Reduction

- Reduce weight
- Reduce number of components
- Select cost-effective materials
- Minimum waste designs
- Zero failure stress tests
- Simplified tooling



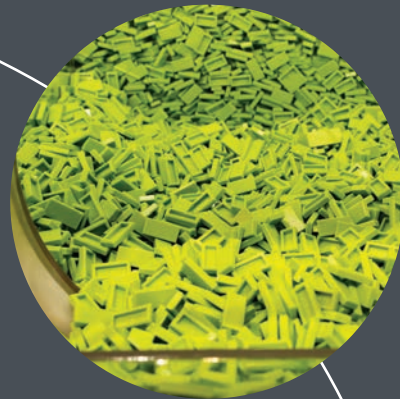
Assembly and Packaging Solutions

- Efficient assembly designs
Optimize packaging requirements
- Parts assembly services

Product Prototyping

Prototyping is an essential phase in the innovation process. We can work with you to create prototypes to communicate concepts to stakeholders, fix design issues early in development, or to optimize products before beginning mass production.

Adaptive technologies such as 3D printing and digital manufacturing are making it easier than ever to create quick, cost-effective, and functional prototypes that will save you time and money down the road. The range of materials also continues to expand, further pushing quality up and the costs of production down.



Here for You

With thousands of materials to choose from and a variety of manufacturing options at hand, prototyping can seem daunting. That's why our team are standing by to remove uncertainty and deliver the best solutions for your unique project.

If your concept is still in ideation phase, we can also provide product development services such as CAD drawings, injection point designs, and whatever is needed to get your project underway.





Mold Making

Put our vast experience and great craftsmanship to work for you. Our capabilities and knowledge enable us to design and manufacture the most complex production molds and dies for your manufacturing needs. From prototypes to high performance cycling molds and dies, our team of expert engineers and technicians are here to deliver the best results to ensure your success

Our Capabilities

We design, build, maintain, repair, and modify the following on time and on budget:

- Plastic injection molds
- Compound, progressive and high precision fine blanking dies
- Blow molds
- Extrusion dies and calibrators
- Aluminum and zinc casting dies
- Transfer and compression dies

Ask us about our in-die sensing programs and hybrid production molds.

Injection Molded Plastic

We are a full-service plastic injection molding manufacturer. Our localized team are here to help you manufacture high-quality parts that bring peace of mind to your manufacturing process and establish a supply chain you can trust.



Just a few reasons our clients love us are:

- "Made in Canada" quality you can trust
- Fast turn around times
- Wide range of materials
- Flexible ordersizes
- Cost reduction advice
- Parts assembly and packaging services
- Excellent customer service
- Clean room standards
- In-house quality inspection lab
- Expertise with complex parts
- Efficient production methods
- Lot tracking
- Reduced carbon footprint
- Localized delivery

Medical Plastics

Looking to make life science or medical devices? We specialize in manufacturing and assembling high quality injection molded medical parts. Everything made at our Canadian facilities is created under clean room conditions, and products undergo rigorous testing in our world-class Canadian innovation center. We will work with you to design, manufacture, and test products ready to meet FDA or Health Canada standards.

Everything that leaves our hands is scientifically engineered, manufactured with precision, and meticulously tracked for your peace of mind.

Our clients rely on us to manufacture:

- Medical instruments
- Diagnostic tools
- Lab ware
- Personal protective equipment
- Dental devices
- Surgical devices
- Pharmaceutical supplies
- Health and wellness products

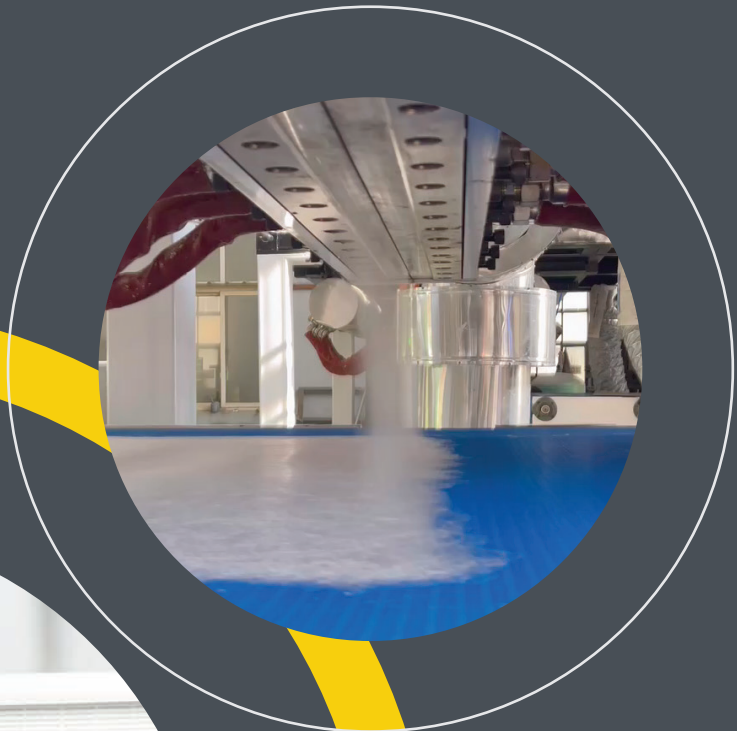


Meltblown Fabrics

Are you manufacturing a product with filtration or absorption functions? We make our own made in Canada meltblown fabrics. Working with our fabrics means you can rest easy knowing your devices are filtering or absorbing everything they should.

Our high-end polypropylene materials are ideal for products such as:

- Face masks
- Respirators
- Air filters
- Sanitary pads
- Industrial filters
- Ventilators



THE RECYCLE



Looking to Go **Green**?

Our team are standing by to support you in developing sustainable product solutions. With literally tens of thousands of raw materials to consider and a variety of design techniques able to reduce waste while maintaining integrity, there are plenty of ways to make products more eco-friendly.

We also work with businesses and academic institutions looking to formulate, test, and/or prototype new bio-polymers.

12

About LaFlesche



LaFlesche is a full-service plastic manufacturer located in Quebec. We research and manufacture high-quality meltblown fabrics, injection molded plastics, plastic medical devices, and plastic life science products. Perhaps more importantly, we're on a mission to create, innovate, and localize a trustworthy and sustainable supply chain for our partners.

Bringing Manufacturing Home

Over the last decade, advances in technology, raw materials, and intelligent design have made domestic manufacturing more advantageous than ever.

At our Canadian facilities, high-tech equipment mean reduced labour costs. Short-haul deliveries remove risks and increase product traceability. Ethical business practices bring peace of mind. And a growing library of raw materials and sustainable manufacturing options allow us to help brands reduce their environmental impact while improving the quality of their products.

For these reasons and more, our team are passionately committed to providing domestic plastics manufacturing solutions that exceed our clients' expectations.

13



What's In a **Name**?

LaFlesche is a proudly Indigenous business. Our facilities are located on traditional Kahnawà:ke lands in Southern Quebec and owned and operated by a diverse team of Indigenous and non-Indigenous experts in their fields.

As an Indigenous business, caring for others means a lot to us. That's why we named our company after one of the greatest heroes of North American Indigenous history – Dr. Susan Picotte La Flesche. Dr. La Flesche became the first Indigenous doctor in the United States and was a passionate advocate for underserved people.

Achieving her medical degree as class valedictorian in 1889, she graduated a full 31 years before women could vote in the US, and 35 years before Indigenous Americans could become citizens of their own country. Moved by her desire to make modern medicine accessible to Indigenous communities, she not only pursued her degree, she then built a hospital that enabled anyone, regardless of color, to receive quality healthcare across an astounding area of 1,350 miles.


Inspired by this incredible trailblazer who dedicated her life to improving the lives of others, our vision at LaFlesche is to innovate high-quality, ecological life sciences solutions for an increasingly thriving and sustainable world.

We hope you will join us.




Contact Us

We can't wait to support your manufacturing journey.

 +1 514 316 0133

 info@laflesche.com

 www.laflesche.com

 1 Rock Road West
Kahnawake, Quebec,
Canada, J0L 1B0